

## DELTA SEDIA con le braccia

By Jorge Pensi

Delta collection is made to fit in with exterior or interior contemporary spaces. The injected aluminum base and extracted aluminum column make it ideal for use in the open air, due to the weather-resistant properties of these materials. The folding top and the design of the base enables the tables to be lined up one against the other to save space when they are not in use. The goal of the DELTA chair was to create a timeless product that constantly seeks to strike a balance between realism and surrealism— matter and antimatter, abstraction and emotion. The goal was to maximize emotions while minimizing resources, questioning the common logic of something new.

View online: <https://www.vondom.com/it/prodotti/66026>



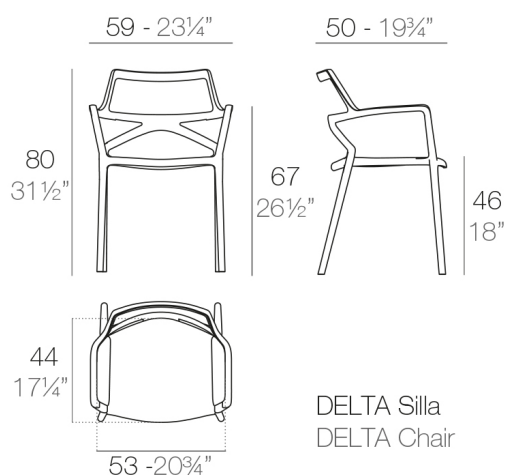
### Caratteristiche

#### Descrizione

realizzato in polipropilene a iniezione a gas air-moulding e rinforzato con fibra di vetro . Impilabile . Disponibile in vari colori . Adatto per interni ed esterni.

#### Peso

4 Kg



### Finiture

#### BASIC PP

Ref. 66026

Disponibile in vari colori

#### LACQUERED COLOR INJECTION PP

Ref. 66026F

-

COLOR	BASIC PP
BRONZE 3120	<input type="checkbox"/>
RED 3117	<input type="checkbox"/>
ECRU 3111	<input type="checkbox"/>
BEIGE 3105	<input type="checkbox"/>
BLACK 3126	<input type="checkbox"/>
WHITE 3102	<input type="checkbox"/>
ACUALIS NAPA41	<input type="checkbox"/>
BIANCO	<input type="checkbox"/>
NERO	<input type="checkbox"/>
BRONZO	<input type="checkbox"/>

ROSSO  
ECRU



## Opzionale

---

### NAUTIC

Tessuto nautico adatto per uso esterno e interno .

